

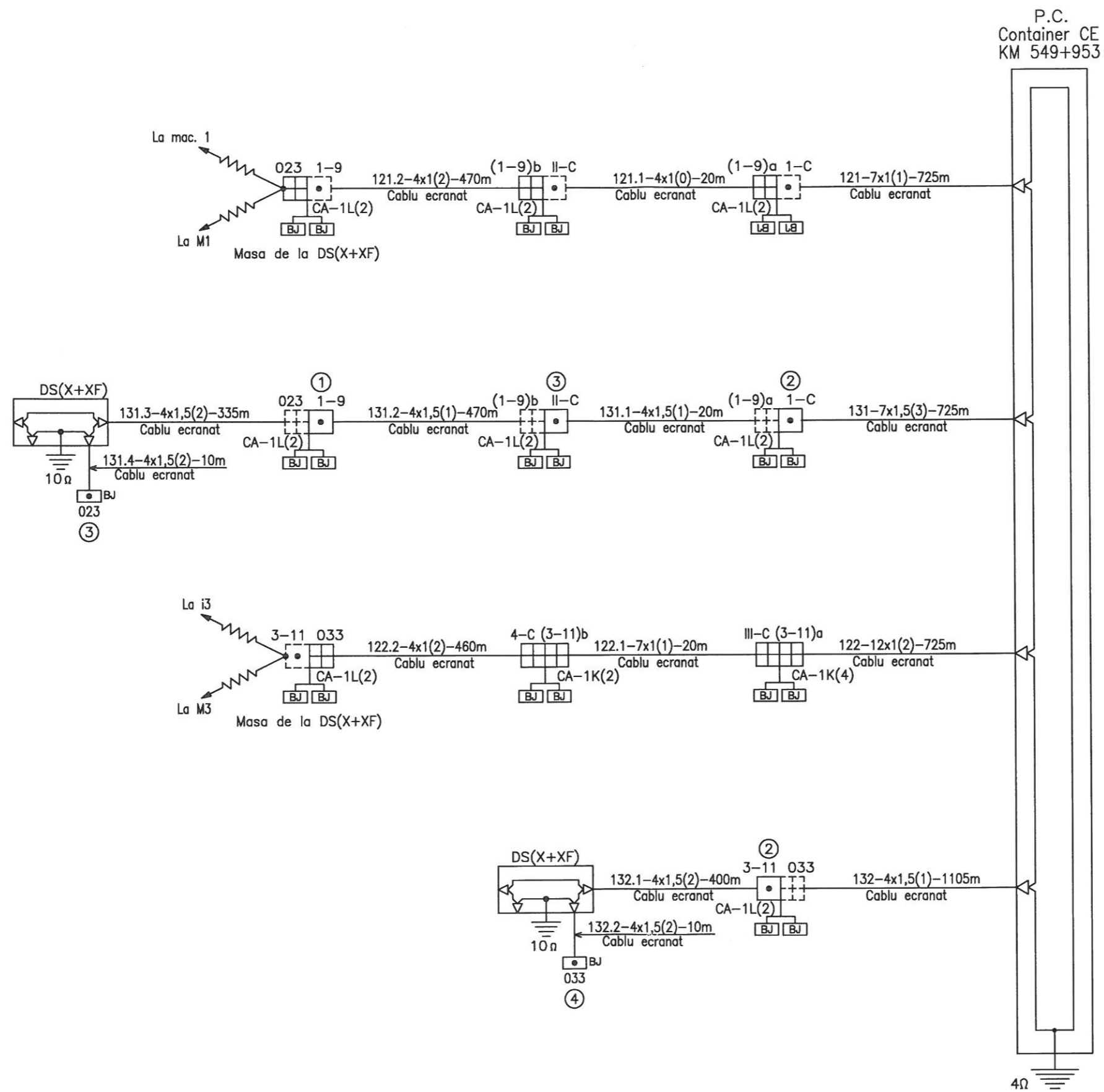
LEGENDA
LEGEND

	CUTIE APARATAJ PENTRU CIRCUITELE DE CALE CAP ALIMENTARE TRACK CIRCUIT BOX - SUPPLY END
	CUTIE APARATAJ PENTRU CIRCUITELE DE CALE CAP RELEU TRACK CIRCUIT BOX - RECEIVING END
	BOBINA DE JOANTA IMPEDANCE BOND
	ECHIPAMENTE DESENATE SI IN ALTE PLANURI EQUIPMENTS INCLUDED IN OTHER PLANS
	DISTRIBUITOR DE CABLURI DISTRIBUTOR BOX
	LEGATURA ECHIPOTENTIALA EQUIPOTENTIAL CONNECTION
	POST CENTRALIZARE INTERLOCKING POST
	TERMINAL DE CABLU CABLE TERMINAL
	PRIZA DE PAMANT EARTH PLATE
	SECVENTA CIRCUITULUI DE CALE TRACK CIRCUIT SEQUENCE

	121-24x1(3)-100m Cablul ecranat
	NUMARUL CABLULUI CABLE NUMBER
	NUMARUL DE CONDUCTOARE TOTAL NUMBER OF WIRES
	SECTIUNEA CONDUCTORULUI WIRE CROSS SECTION
	CODUCTOARE DE REZERVA SPARE WIRES
	LUNGIMEA CABLULUI LENGTH OF CABLE
	TIPUL CABLULUI CABLE TYPE

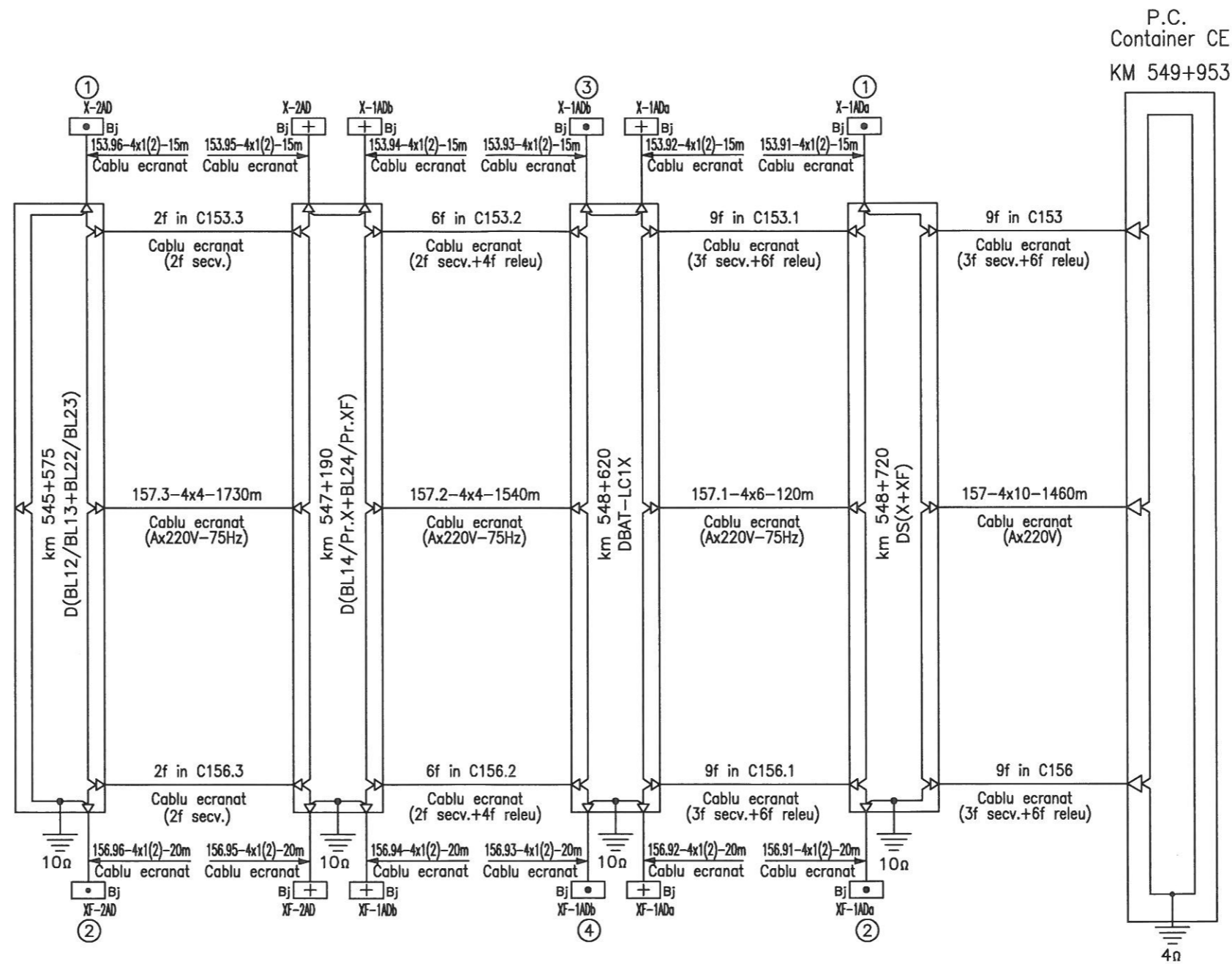
NOTA: CABLURILE CARE NU AU MENTIONAT TIPUL DE CABLU, VOR FI NEECRANATE
NOTE: CABLES WHICH HAVE NOT MENTIONED TYPE OF CABLE WILL BE UNSCREENED

Indice Index	Data Date	Descriere Description	Semnatura Signature	Semnatura Signature	Semnatura Signature	Semnatura Signature
Modificare / Revision	E					
	D					
	C					
	B					
	A					
		 MINISTERUL TRANSPORTURILOR				
		 BENEFICIAR / BENEFICIARY : COMPANIA NAȚIONALĂ DE CĂI FERATE "CFR" SA				
PROIECTANT / DESIGNER:				Data / Date	Semnatura Signature	
Aprobat Approved	Sef de echipa Team leader	C. Teodorescu	01.2013			
Verificat Checked	Expert Cheie Key Expert	R. Trommer	01.2013			
Subcontractant / Subcontractor						
Aprobat Approved	Adjunct Sef de echipa Deputy Team leader	A.M. Baicu	01.2013			
Proiectat Designed	Inginer Engineer	E. Diaconu	01.2013			
"Reabilitarea liniei c.f. Frontieră - Curtici - Simeria, parte componentă a coridorului IV Pan - European pentru circulația trenurilor cu viteză maximă de 160 km/h" Tronsonul 2-B : cap Y Bârzava - cap Y Ilteu "Rehabilitation of the Railway Line Border - Curtici - Simeria, component Part of the IV Pan - European Corridor for the Trains Circulation with maximum speed of 160 km/h" Section 2-B : end Y Bârzava - end Y Ilteu					Project 9i 35311.1	
Denumire desen / Drawing Title :					Faza / Phase: PTh +CS / TD + TS	
Plan cablaj circuite de cale - Stia VARADIA / VARADIA Station - Cable sketch for track circuits						
Scara / Scale		Revizia / Revision		Cod desen / Drawing Code		Nr / No
-		1/16.05.2013		PT.02.05.12.SM.014		01/05



Cable sketch for track circuits
end X track 1 and 2:
121;131;122;132

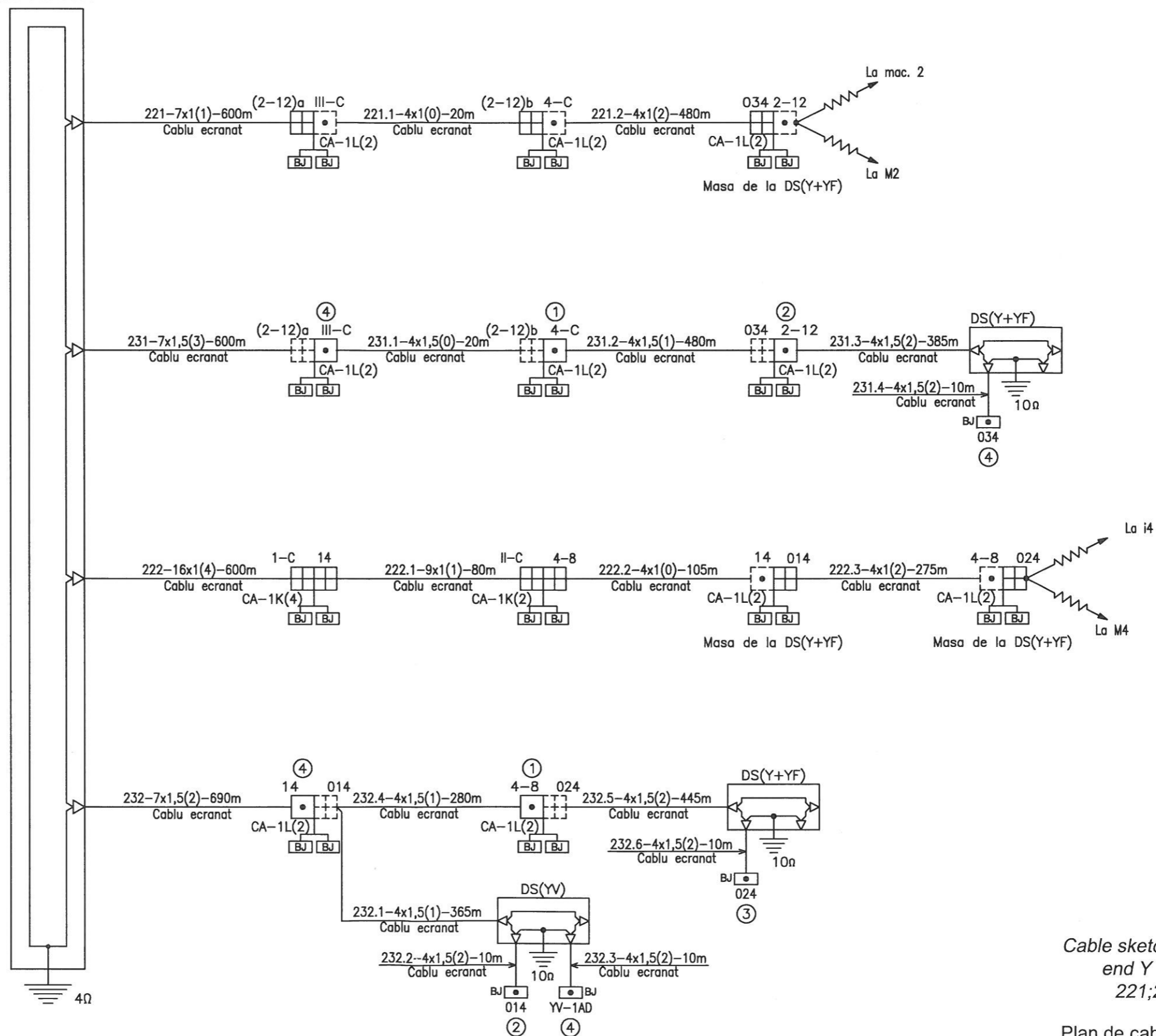
Plan de cablaj al circuitelor de
cale capX firul 1 si 2:
121;131;122;132



Cable sketch for track circuits
end X track 1,2:
153;156;157

Plan de cablaj al circuitelor
de cale cap X firul 1,2:
153;156;157

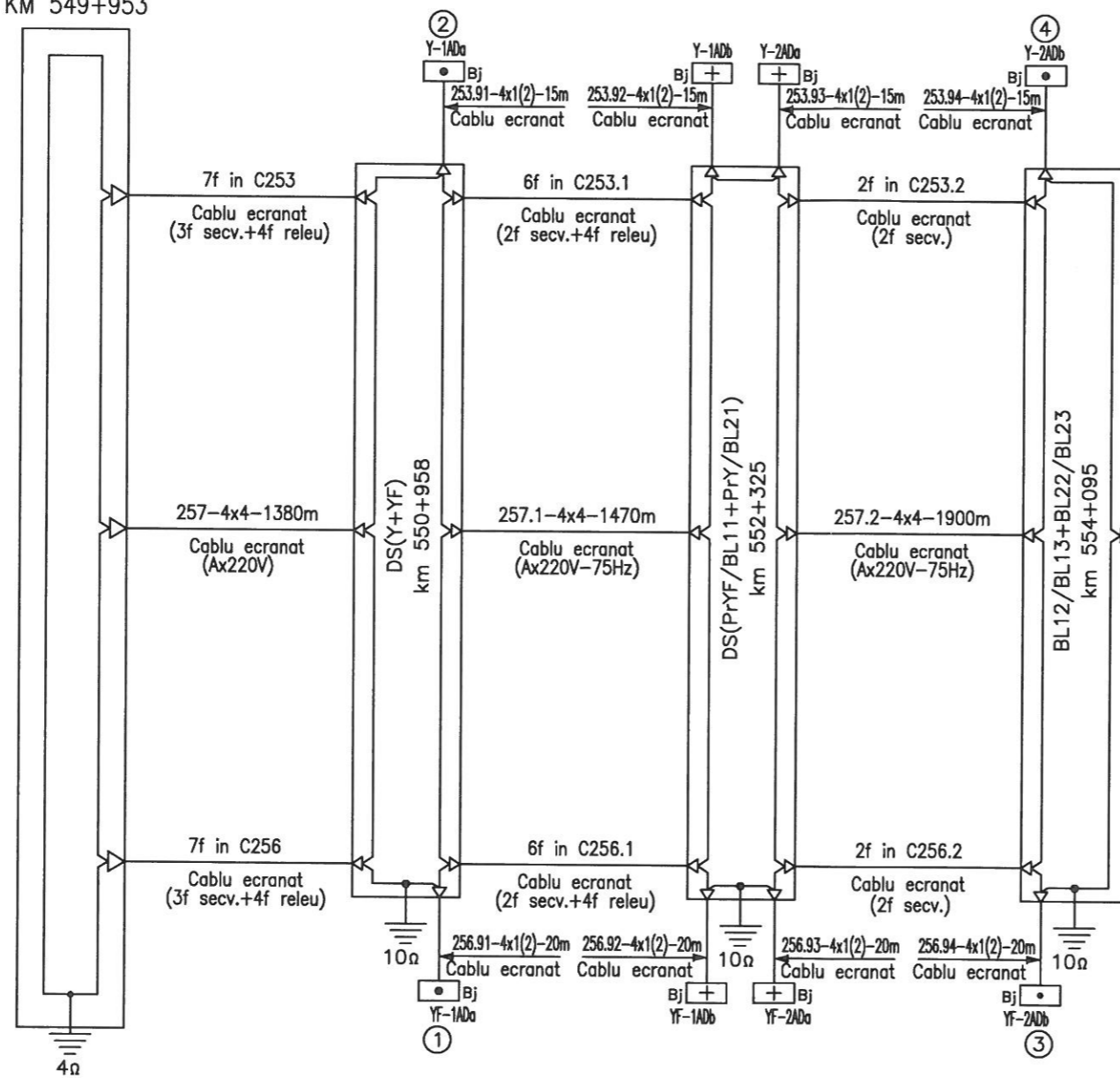
P.C.
Container CE
KM 549+953



Cable sketch for track circuits
end Y track 1 and 2:
221;231;222;232

Plan de cablaj al circuitelor de
cale cap Y firul 1 si 2:
221;231;222;232

P.C.
Container CE
KM 549+953



Cable sketch for track circuits
end Y track 1,2:
253;256;257

Plan de cablaj al circuitelor
de cale cap Y firul 1,2:
253;256;257